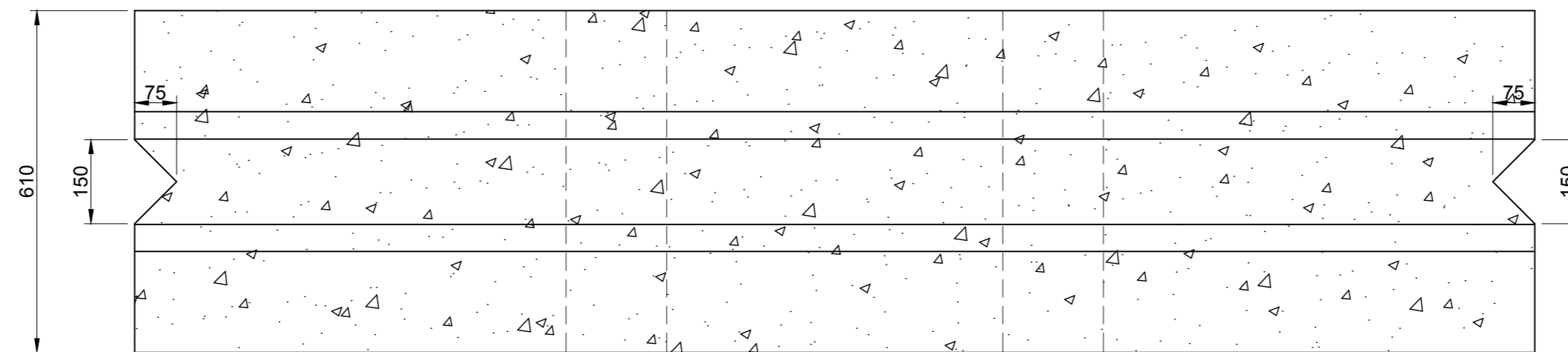
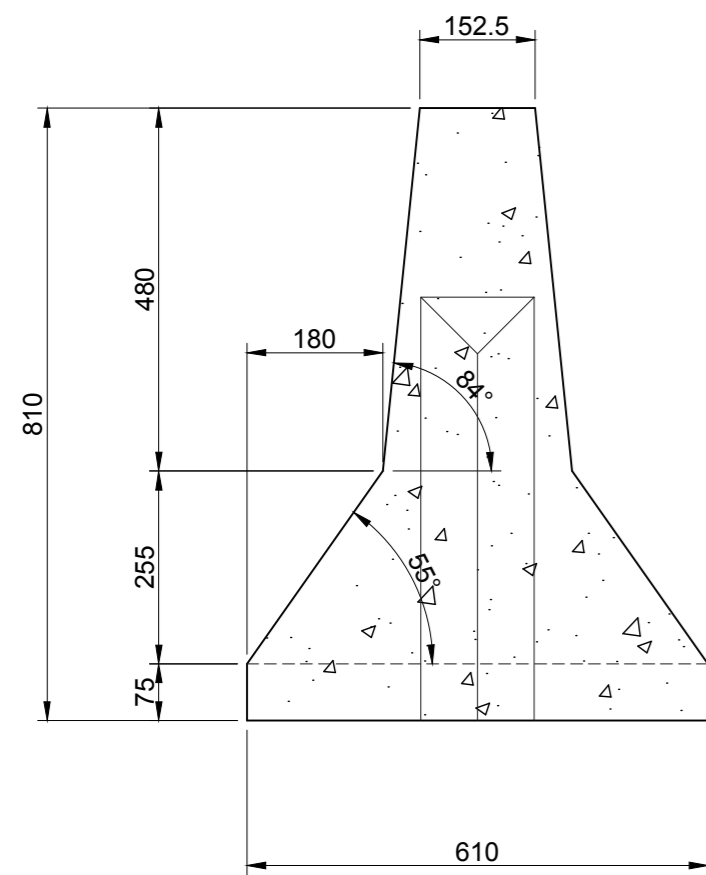


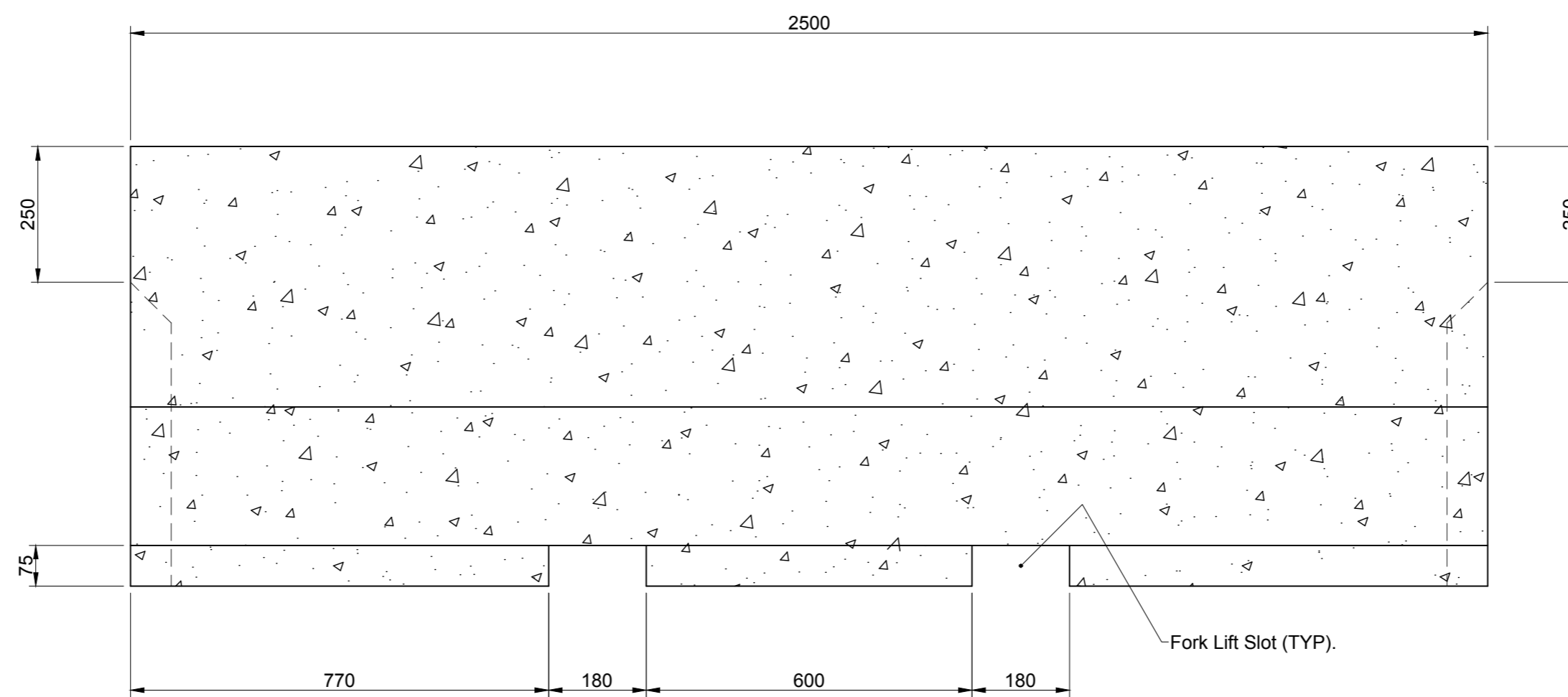
DOUBLE FEMALE



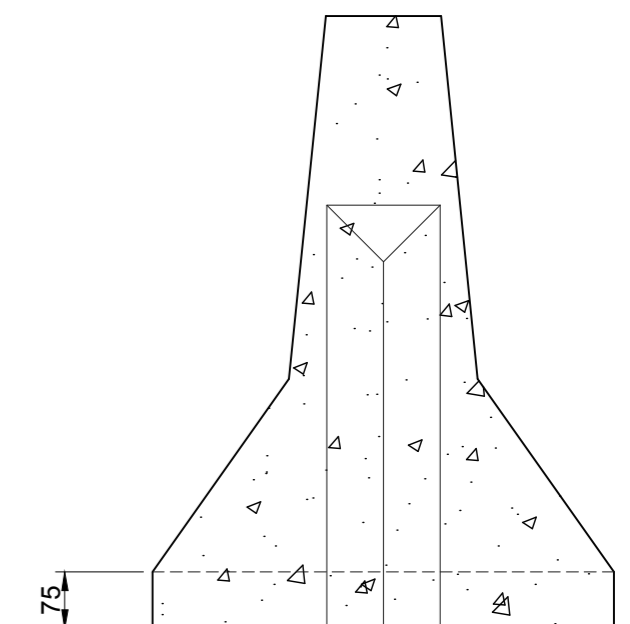
PLAN



END



ELEVATION



END

Maltaward (Barriers) Ltd
 Unit 7 Wellingham Way Holmbush Potteries
 Crawley Road Faygate Horsham RH12 4SE



DRN	CTC	DATE	01/10/14
CHKD		DRG SIZE	A2
	SCALE	AND AS NOTED	1:10

TITLE
Budget Road Barrier & V-Interlock
 610 x 810 x 2500mm
 DOUBLE FEMALE

DRG **1518**

REV **1**