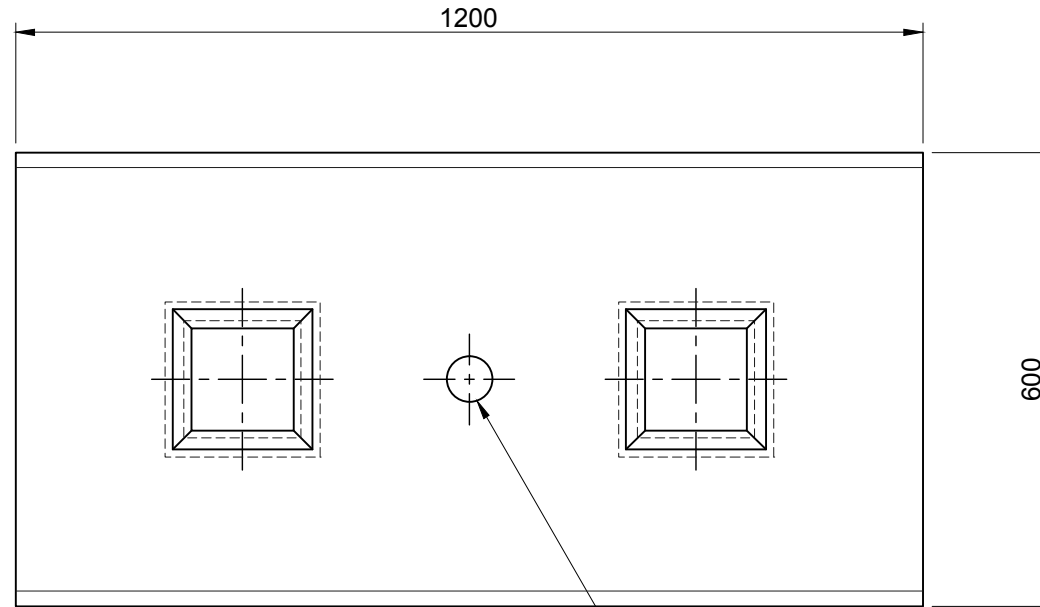


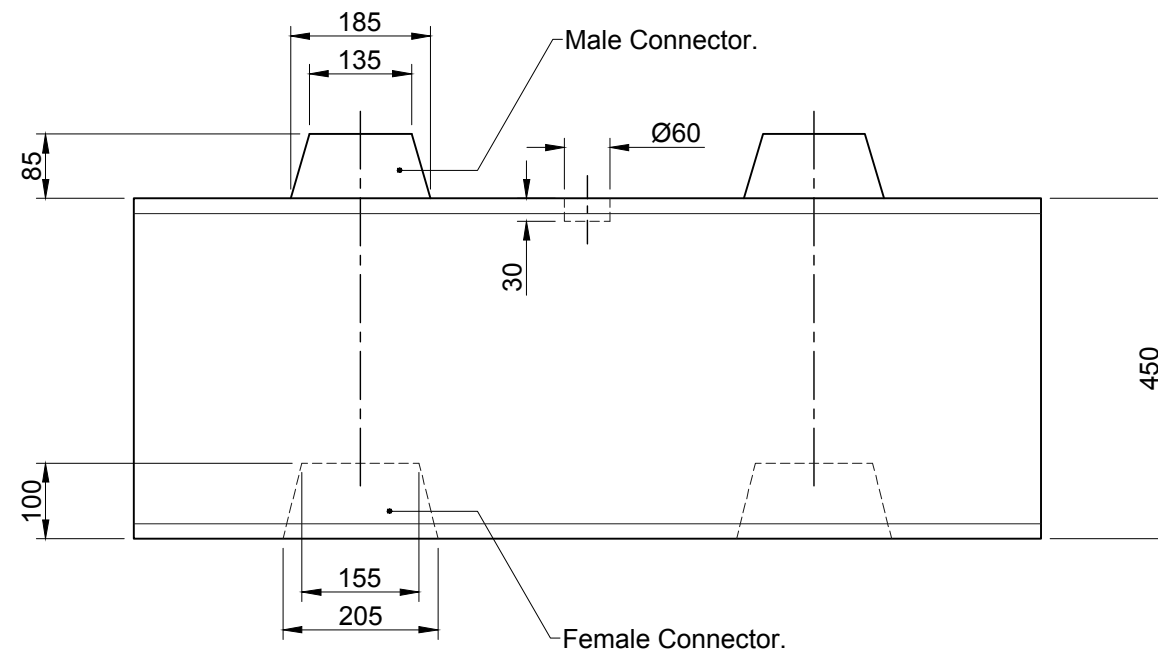
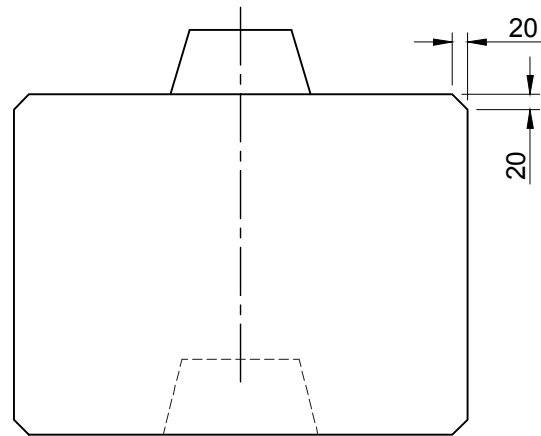
PROJECTION



Total Block Weight : 750Kg



Ø60mm Dia Semi-Spherical Recess in Gravitational Centre of Block for 'Deha' type Lifting Pin (n.b. Lifting Pin 180mm Long). (Lifting Pin is rated to 2.5 tonnes with a safety factor of 3).



REV	DATE	REASON FOR ISSUE	DRN	APP	REV	DATE	REASON FOR ISSUE	DRN	APP	
					O	31/10/14	For Information			
								CTC	RD	
TITLE :					Maltaward (Barriers) Ltd Unit 7 Wellingham Way Holmbush Potteries Crawley Road Faygate Horsham RH12 4SE					
DRN :	CTC	CHKD :	RD	DATE :	01/10/14	DRG SIZE :	A3	SCALE :	1:10	
							DRG	1500	REV	1

