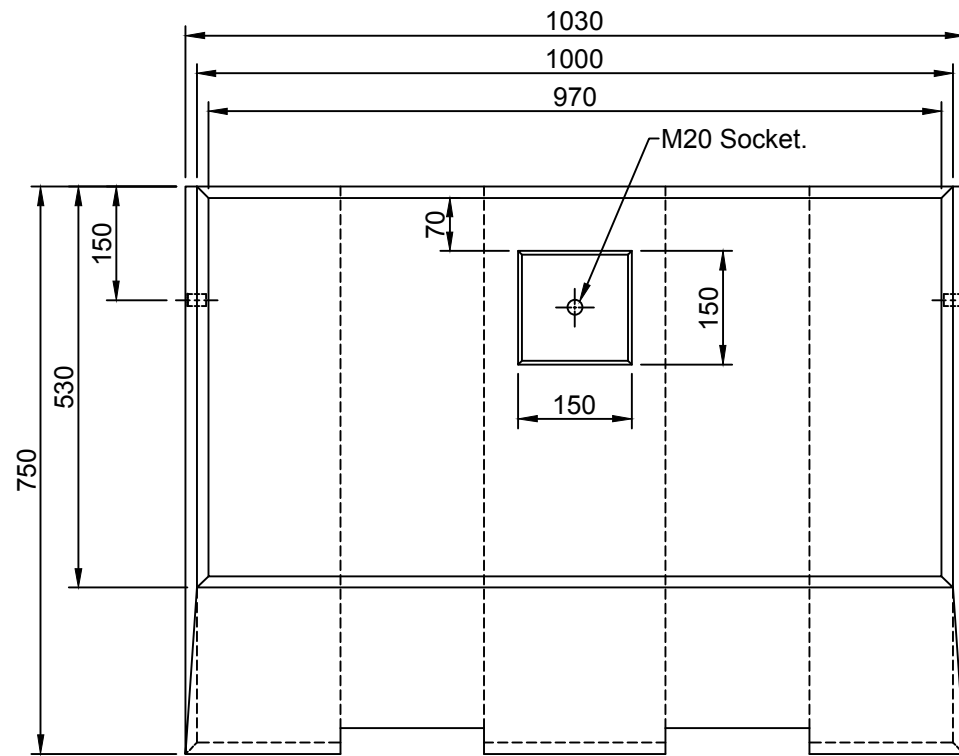
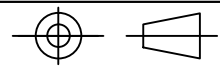
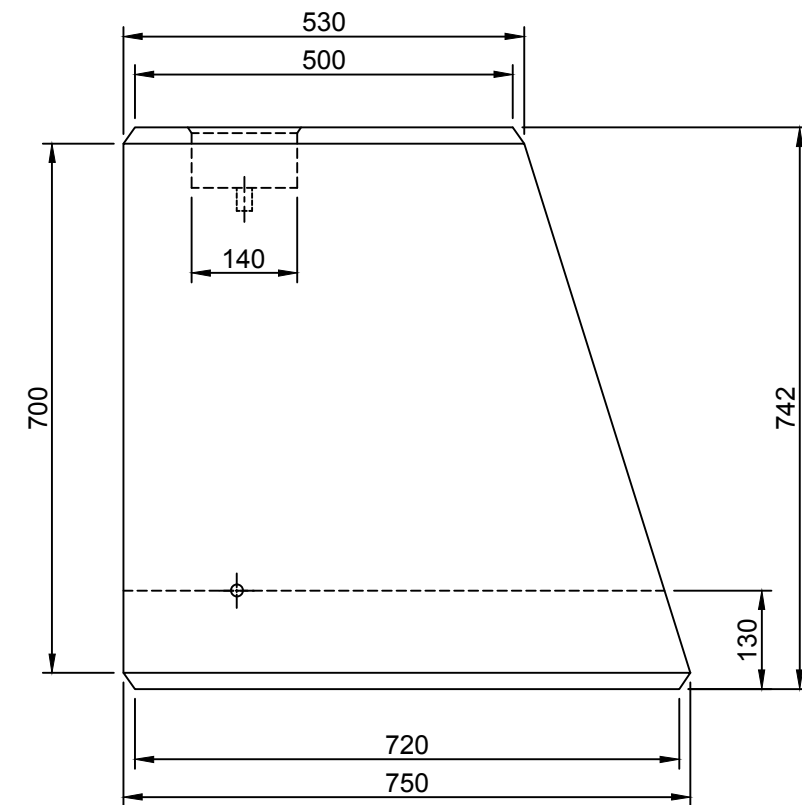
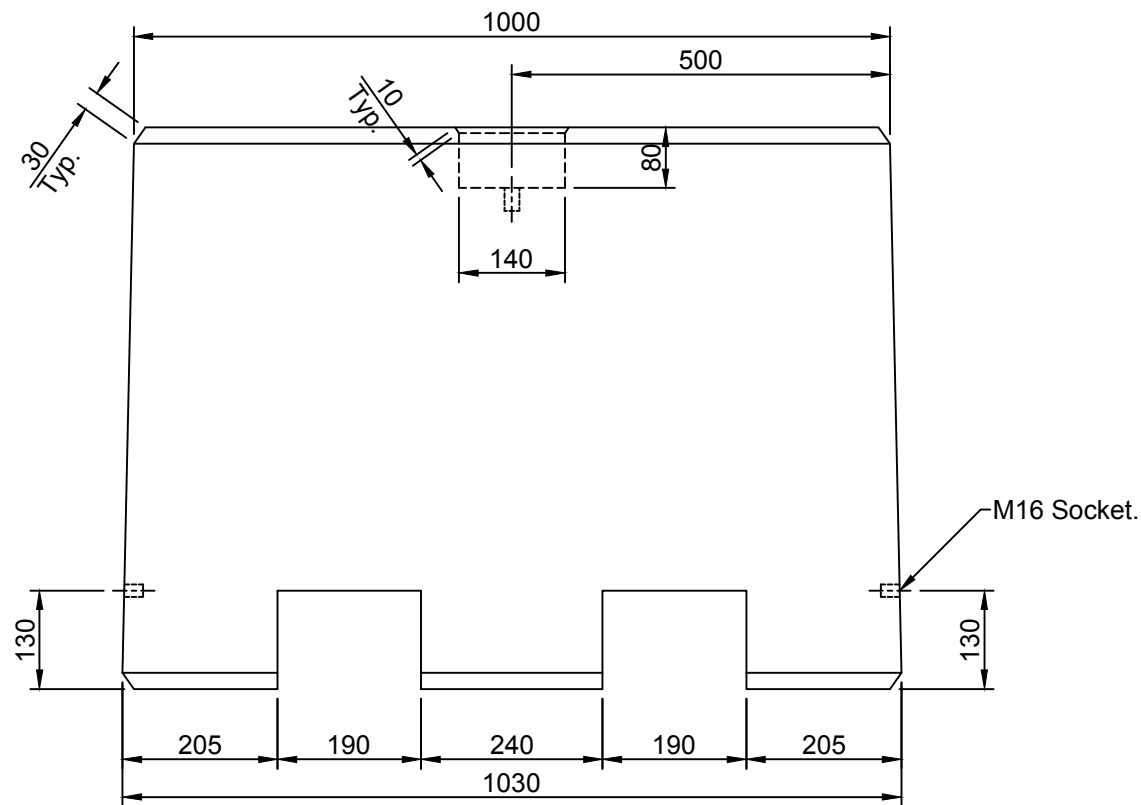


PROJECTION



Weight : 1000 kg Approx.



						O	01/10/14	For Information		CTC	RD		
REV	DATE	REASON FOR ISSUE			DRN	APP	REV	DATE	REASON FOR ISSUE			DRN	APP
TITLE :						Maltaward (Barriers) Ltd Unit 7 Wellingham Way Holmbush Potteries Crawley Road Faygate Horsham RH12 4SE							
DRN : CTC			CHKD : RD		DATE : 01/10/14		DRG SIZE : A3		SCALE : 1:10		DRG 1521	REV 1	

